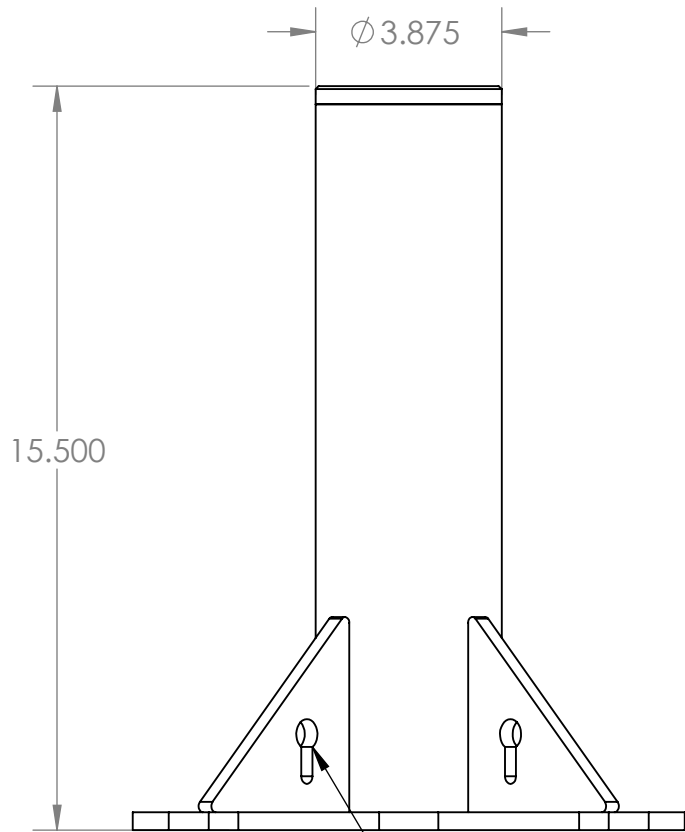


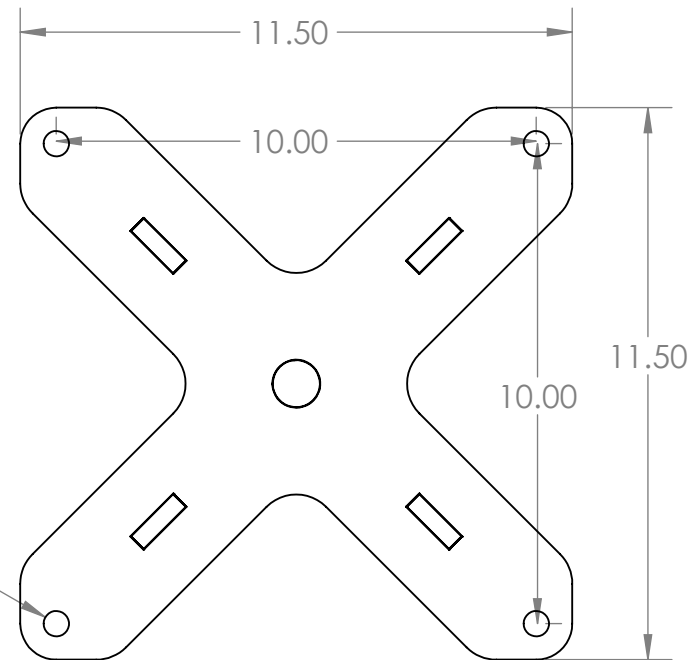
B

B



These "keyholes" are used to store extra cable.
There is a ball on the end of the cable that fits
this feature.

ϕ .53 THRU



A

A

UNLESS OTHERWISE SPECIFIED:

DIMENSIONS ARE IN INCHES
TOLERANCES:
FRACTIONAL $\pm 1/16$
ANGULAR: MACH $\pm 1/2$ degree
TWO PLACE DECIMAL $\pm .02$
THREE PLACE DECIMAL $\pm .005$

SPECIFIC TOLERANCES TO BE
CALLED OUT IF NEEDED.

MATERIAL

FINISH

DO NOT SCALE DRAWING

DRAWN

CHECKED

ENG APPR.

MFG APPR.

Q.A.

COMMENTS:

NAME DATE



TITLE:

Pedestal Base

SIZE

A

Part #

OZPED2

REV

SCALE: 1:4

WEIGHT:

SHEET 1 OF 1

2

1