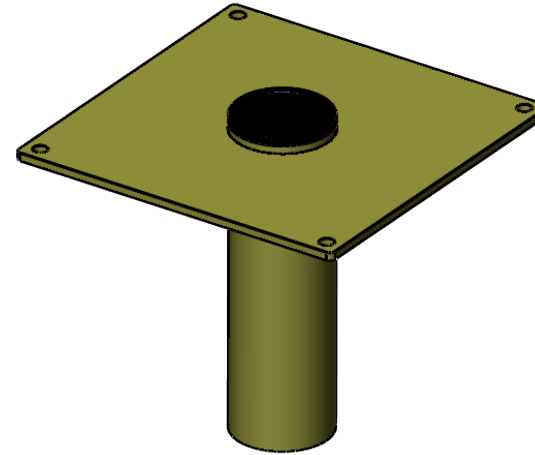
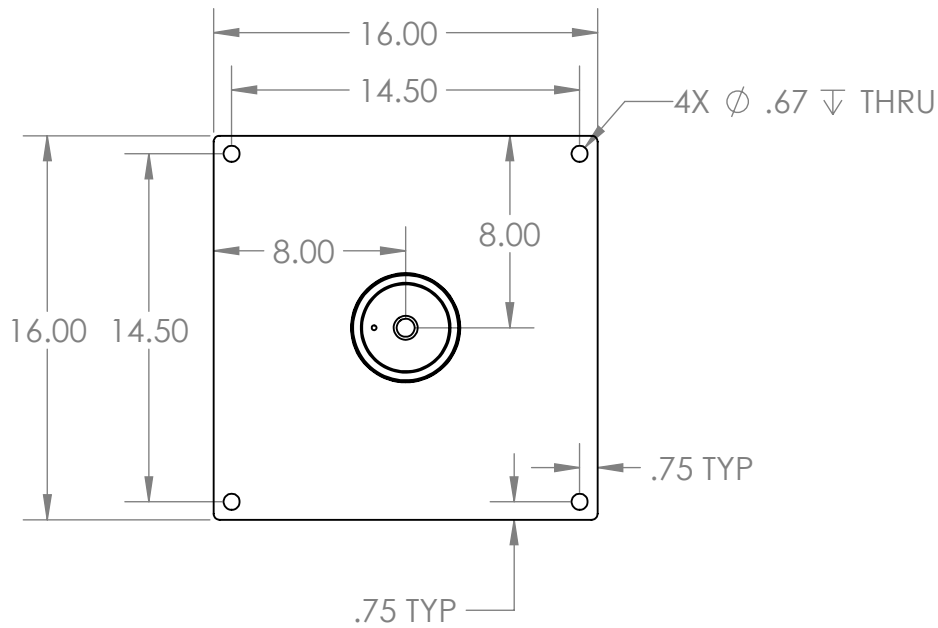
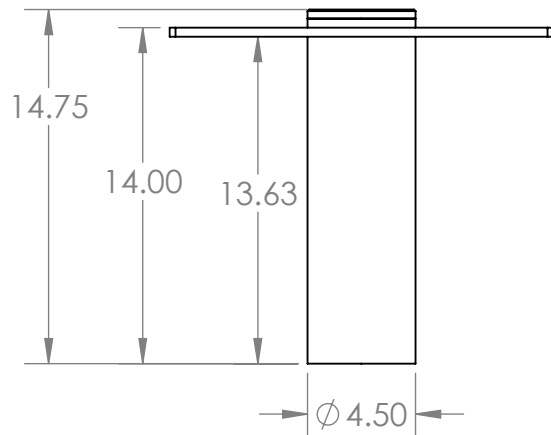


B



B



A

PROPRIETARY AND CONFIDENTIAL

THE INFORMATION CONTAINED IN THIS DRAWING IS THE SOLE PROPERTY OF OZ LIFTING PRODUCTS. ANY REPRODUCTION IN PART OR AS A WHOLE WITHOUT THE WRITTEN PERMISSION OF OZ LIFTING PRODUCTS IS PROHIBITED.

UNLESS OTHERWISE SPECIFIED:

DIMENSIONS ARE IN INCHES
 TOLERANCES:
 FRACTIONAL $\pm 1/16$
 ANGULAR: MACH $\pm 1/2$ degree
 TWO PLACE DECIMAL $\pm .02$
 THREE PLACE DECIMAL $\pm .005$

SPECIFIC TOLERANCES TO BE CALLED OUT IF NEEDED.

MATERIAL

FINISH

DO NOT SCALE DRAWING

	NAME	DATE
DRAWN		
CHECKED		
ENG APPR.		
MFG APPR.		
Q.A.		
COMMENTS:		

TITLE:

Socket Base

SIZE

A

Part #

REV

SCALE: 1:8

WEIGHT:

SHEET 1 OF 1



2

1

A