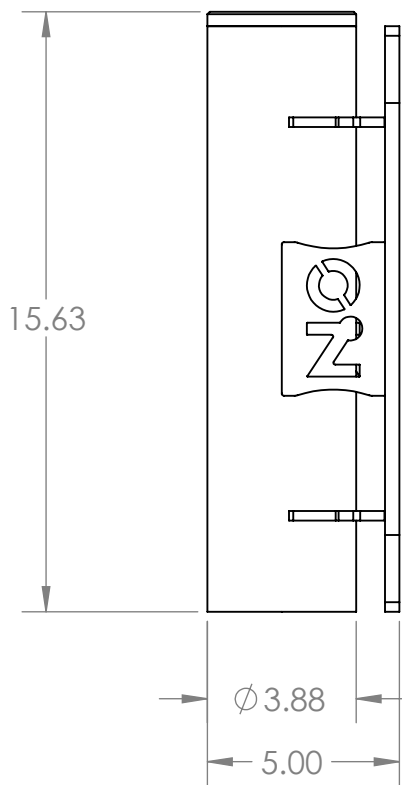
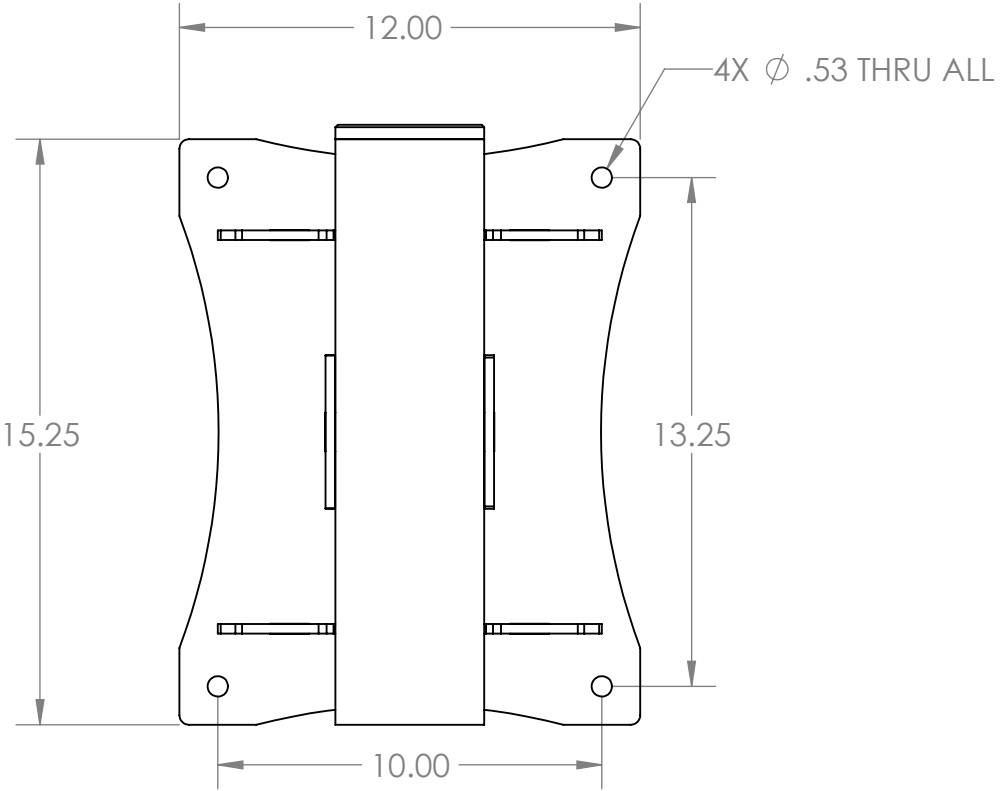


B

B



A

A

PROPRIETARY AND CONFIDENTIAL
 THE INFORMATION CONTAINED IN THIS DRAWING IS THE SOLE PROPERTY OF OZ LIFTING PRODUCTS. ANY REPRODUCTION IN PART OR AS A WHOLE WITHOUT THE WRITTEN PERMISSION OF OZ LIFTING PRODUCTS IS PROHIBITED.

UNLESS OTHERWISE SPECIFIED:		NAME	DATE
DIMENSIONS ARE IN INCHES	DRAWN	GFL	6/10/16
TOLERANCES:	CHECKED		
FRACTIONAL ± 1/16	ENG APPR.		
ANGULAR: MACH ± 1/2 degree	MFG APPR.		
TWO PLACE DECIMAL ± .02	Q.A.		
THREE PLACE DECIMAL ± .005	COMMENTS:		
SPECIFIC TOLERANCES TO BE CALLED OUT IF NEEDED.			
MATERIAL			
Mixed			
FINISH			
DO NOT SCALE DRAWING			



TITLE: Davit 1000 Wall Mount Base		
SIZE	Part #	REV
A	OZWALL2	A
SCALE: 1:5	WEIGHT: 31.4lbs	SHEET 1 OF 1

2

1